



TIEMME

GAS BENT COUPLING

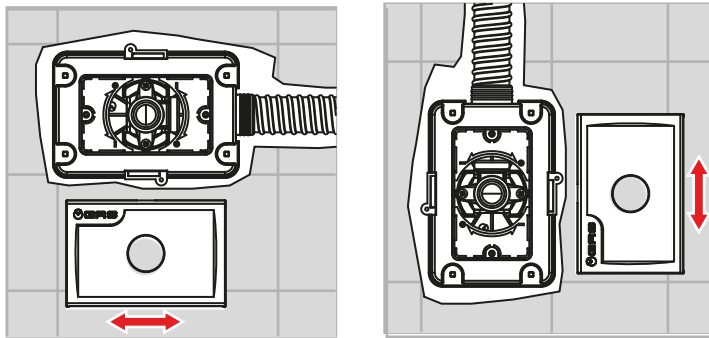
Art. 1568BOX

Gas flush mount bent coupling

Coupling Art. 1568BOX must be used only with equipment with nominal power lower than 35 kW. The technical data sheet refers to the mounting of the accessible enclosure and relevant coupling. For any installation, test, assembly and maintenance need on other related products, the operator should refer to technical standards in force.

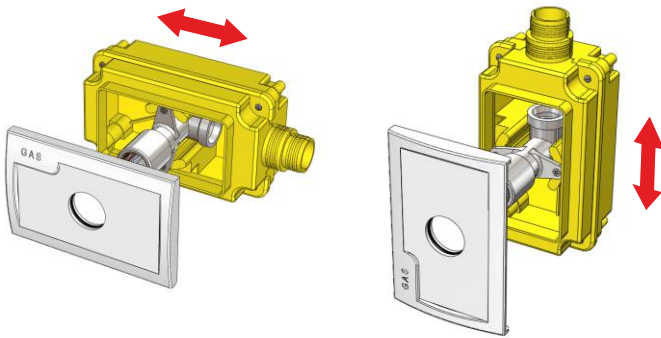
Installation position

The shut-off kit should be installed horizontally. However, vertical installation is possible.



HORIZONTAL

VERTICAL



For the complete range, please refer to catalogue

Technical characteristics

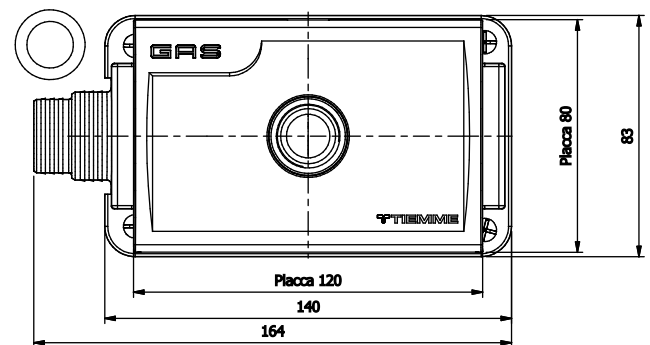
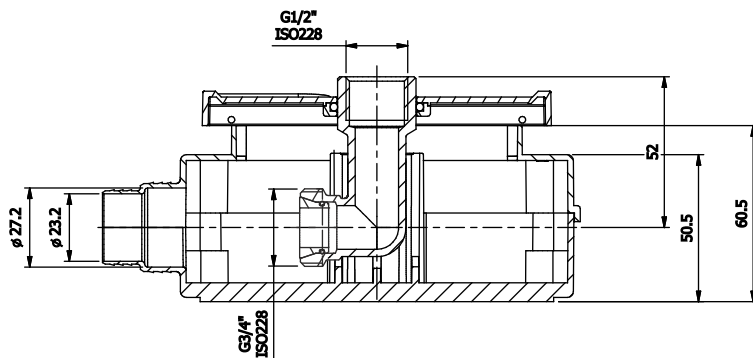
Max. working temperature: for gas 60°C and for other uses 95°C
Min. working temperature: - 20°C
Working pressure: for gas from 0 to 5 bars (MOP 5) for other uses 10 bars

Description

Material

Protective cap	PST
Self-threading screw Ø3.5x15.1 TSP T/+	Galvanised steel
Fitting G1/2x G3/4	CW617N-EN12165
White plate (RAL 9003)	
Enclosure + screws	

Dimensions:



TIEMME Raccorderie S.p.A.
Via Cavallera 6/A (Loc. Barco) - 25045 Castegnato (Bs) - Italy
Tel +39 030 2142211 R.A. - Fax +39 030 2142206
info@tiemme.com - www.tiemme.com
©TIEMME Raccorderie S.p.A. 1568BOX_ING Rev. B 10-12



TIEMME Raccorderie S.p.A. reserves the right to make any changes at any time and without prior notice. Any unauthorised form of reproduction is prohibited.



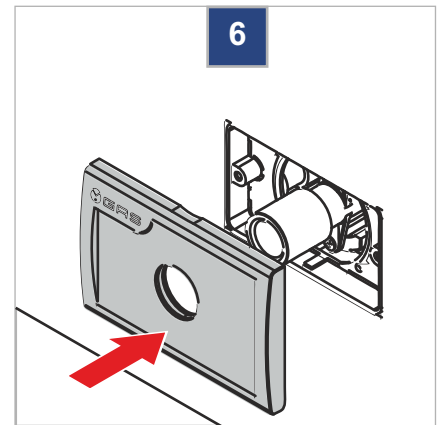
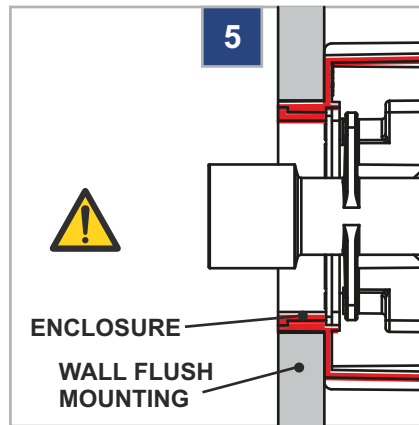
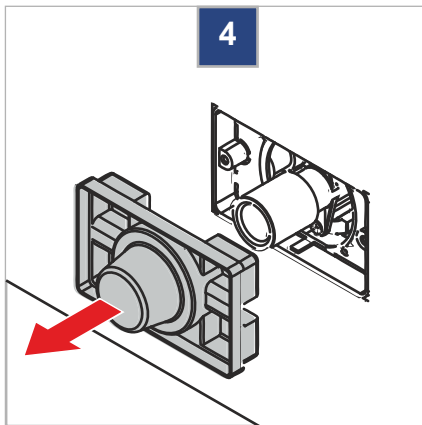
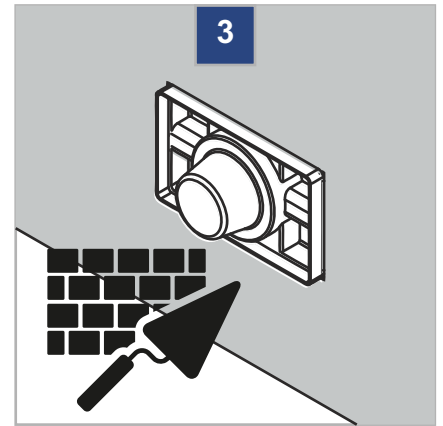
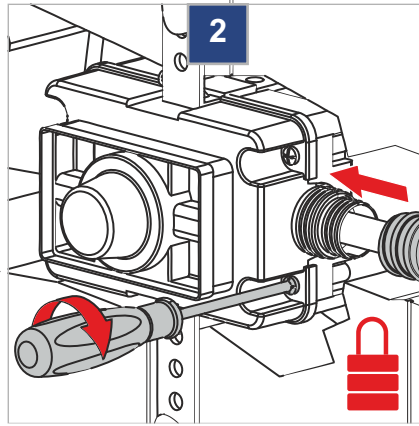
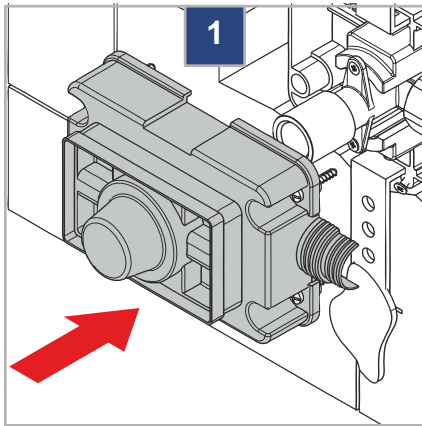


TIEMME

GAS BENT COUPLING

Art. **1568BOX**

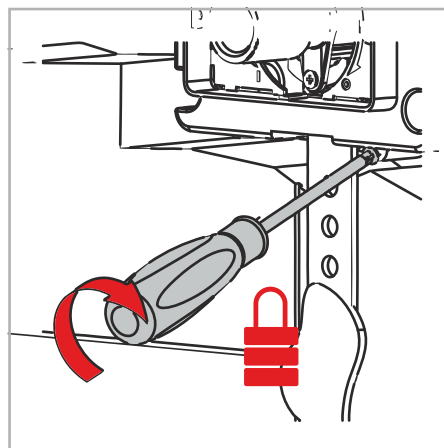
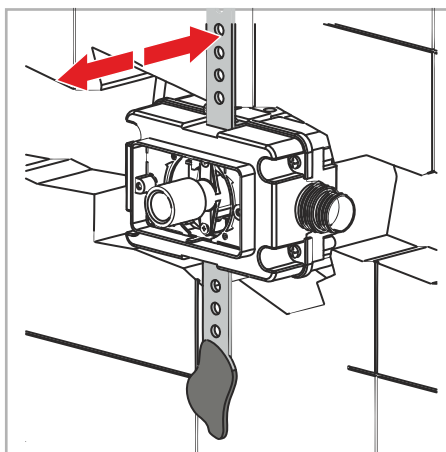
Enclosure closing and closing plate application



Adjustable brackets

For greater installation precision, the 1568BOX coupling is provided with adjustable brackets making enclosure positioning perfect.

Once the correct position has been found, fix the brackets and lock them in place with the appropriate screw.



TIEMME Raccorderie S.p.A. reserves the right to make any changes at any time and without prior notice. Any unauthorised form of reproduction is prohibited.

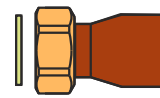
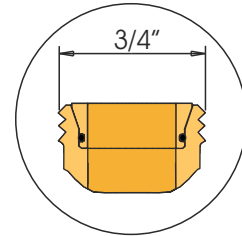
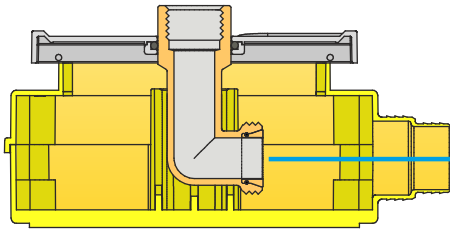


TIEMME

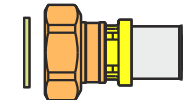
GAS BENT COUPLING

Art. 1568BOX

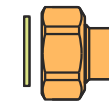
Connection guide



Art. 4359B
For copper welding pipe
Ø14
Ø16
Ø18
Ø22



Art. 2665
For multilayer press pipe
Ø16X2,0
Ø20X2,0
Ø26X3,0



Art. 6065
For copper welding pipe
Ø15
Ø18

Accessories (see catalogue for details)

Art. 3701G



SICURCASA flush mount gas valve

Art. 3701PL



The gas valve enclosure plate is available in white or satin chrome

Art. 1873



Manifold 1"G with 2 or 3 ways - 3/4" Female

Examples of use

