

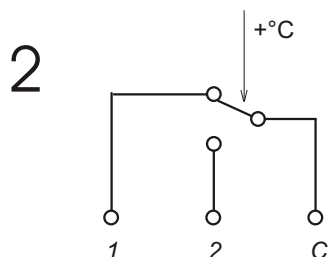
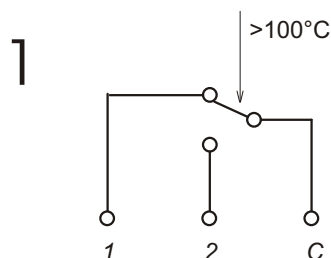
TIEMME

DOUBLE THERMOSTAT

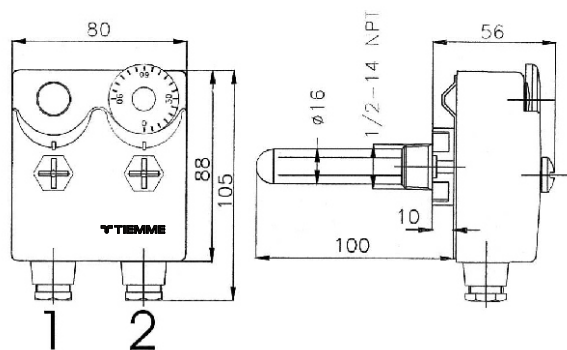
.2078T0001

DOUBLE THERMOSTATS - LIMITER AND CONTROL - IMMERSION

Electrical wiring



Drawing and dimensions



Technical Features

Calibration value-1	-1	100°C
Tolerance-1	-1	+0 -6°C
Differential -1	-1	15 25°C
Calibration range-2	-2	0 90°C
Tolerance-2	-2	. +/-5°C . +/-5°C
Differential-2	-2	5 8°C
Cover material		ABS UL94 VO
Base material		galvanised steel
Contact rating	16 (4) ~250	- 6 (1) ~400
To be used heat resistant cables		. T 130
Temperature limit of thermostat head		T 85
Device earthing		screw clamp
Protection degree		IP40
Type of action		1B
Approvals		ENEC 03 - Ce0497 (PED)



TIEMME Raccorderie S.p.A.
 Via Cavallera 6/A [Loc. Barco] - 25045 Castegnato (Bs) - Italy
 Tel +39 030 2142211 R.A. - Fax +39 030 2142206
 info@tiemme.com - www.tiemme.com
 ©TIEMME Raccorderie S.p.A. 2078T0001 Rev.0 04-05

